

Appendix 2 : FBs BDAP User's Manual

The function of the data access board (FBs-BDAP) is mainly used for displaying and setting of the calendar time and discrete and register data of PLC. For the discrete elements, user can perform the disable or enable function also can set or reset its state. For the registers, the contents can be set and displayed in unsigned or signed decimal format and hexadecimal format. This unit should be mounted on the PLC main unit while install.

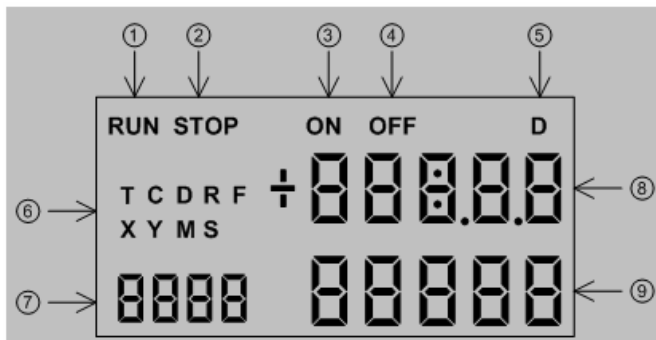
1.1 FBs BDAP Function Description

There are some notations were referred in following sections and described at below:

- 【 T 】 : Current value and on/off status of timer
- 【 C 】 : Current value and on/off status of counter
- 【 D 】 : Data register(D type)
- 【 R 】 : Data register(R type)
- 【 F 】 : File register
- 【 X 】 : Discrete Input (DI)
- 【 Y 】 : Discrete Output(DO)
- 【 M 】 : Internal relay
- 【 S 】 : Step relay

Feature	Description
Calendar Function* ₁	
Display	Display current Year, Month, Date, Hour and minute data
Setting	Set Year, Month, Date, Hour and minute data
Status Display Function	
Discrete Element	Display the state and enable/disable status of X,Y,M,S element
16 bit Register	Display the current value of T, C, D, R, F register. Three display formats (unsigned/signed/hexadecimal) can be chosen.
32 bit Register	Display the current value of C, D, R, F register. Three display formats (unsigned/signed/hexadecimal) can be chosen.
Force On/Off Function	Force the state of X, Y, M, S to be On or Off
Disable/Enable Function	Control the state of X, Y, M, S to be enabled or disabled
Register Content Modification Function	
16 bit Register	Modify the current value of T, C, D, R, F register. Three display formats (unsigned/signed/hexadecimal) can be chosen.
32 bit Register	Modify the current value of C, D, R, F register. Three display formats (unsigned/signed/hexadecimal) can be chosen.
Setting and Display of PLC Station Number Function	Display and set the PLC station number.
Force PLC Run/Stop Function	Force the PLC to run or stop logic solving and I/O service.
Access Protection Function	Provide operator and supervisor password for protection

1.2 FBs BDAP Display Legend



- ① “RUN” indicator. When the PLC is in running state, this symbol will be appeared.
- ② “STOP” indicator. When the PLC is in stop state, this symbol will be appeared.
- ③ “ON” indicator. When the selected element is Timer or Counter, this symbol will be appeared when the corresponding state is on.
- ④ “OFF” indicator. When the selected element is Timer or Counter, this symbol will be appeared when the corresponding state is off.
- ⑤ “D” indicators. When the selected element is 32 bit register, the “D” symbol will be appeared.
- ⑥ Element symbols for selection. There are nine element types can be chosen, those are T, C, D, R, F, X, Y, M and S.
- ⑦ Reference number or year display, The sequence number of the selected element or the year part of the calendar.
- ⑧ Value display or hour and minute display. For 16 bit register, it represents the current value of 16 bit content. For 32 bit register, it represents the portion of the number above 5th digit (million) in decimal or MSB word in hexadecimal format. It also represents the state of discrete element or hour and minute part of the calendar.
- ⑨ Value display or month and day display. For 32 bit register, it represents the lower 5 digit portion of the number in decimal or LSB word in hexadecimal format. It also represents the enable/disable state of discrete element or month and day part of the calendar.

1.3 FBs BDAP Operation Procedure

Operation Keypads: There are six keypads in total for operation.

: Escape key

: OK key

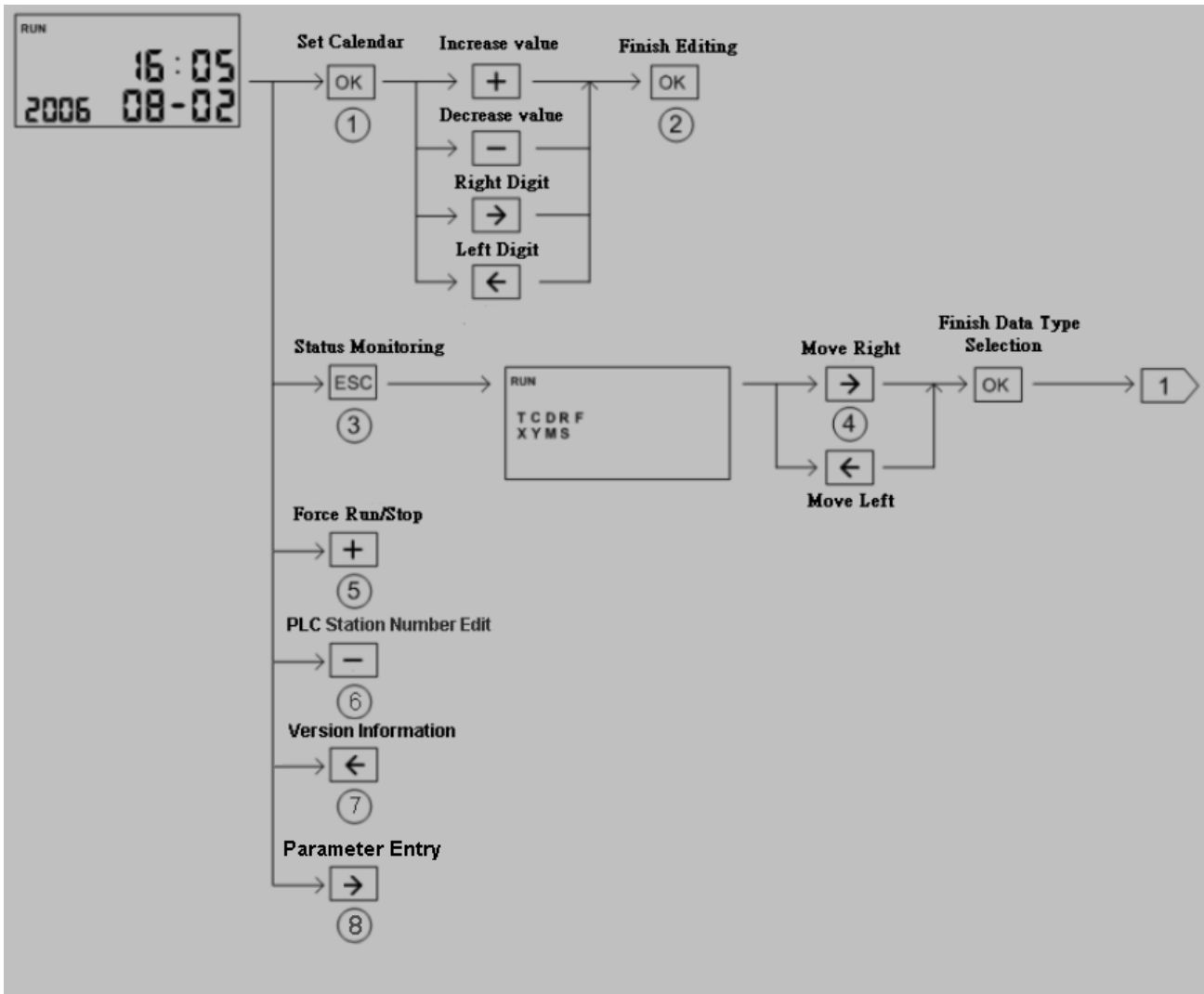
: “-” key

: “+” key

: “→” key(shift right)

: “←” key(shift left)

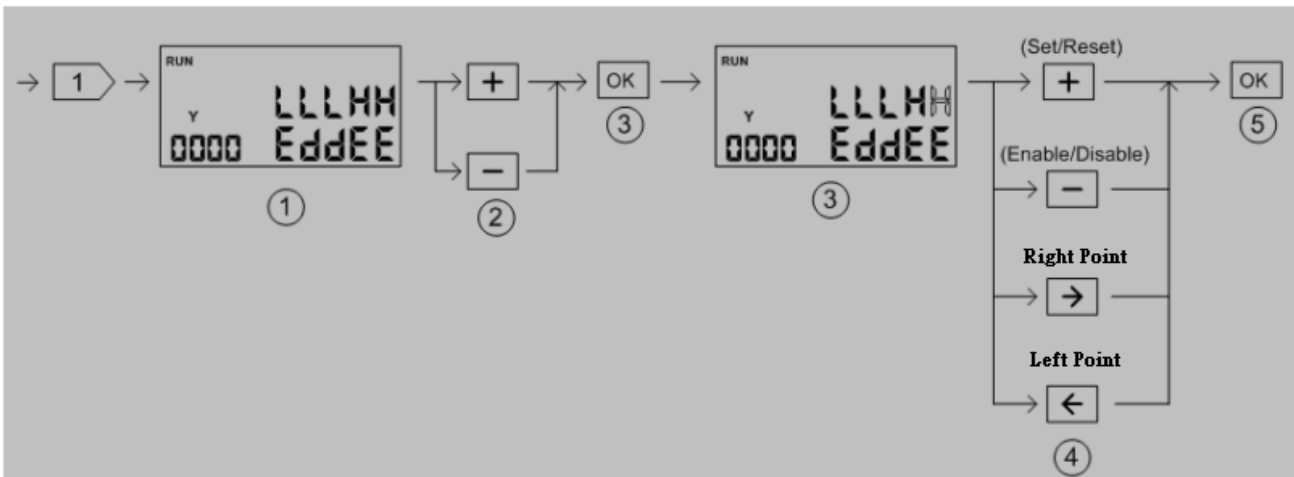
Default display mode: Calendar Display



- ① Select the field to be changed, selected field will be blinked
- ② Enter the new value
- ③ Enter status monitoring display screen
- ④ Use \leftarrow key · \rightarrow key select the element type to be monitoring. The selected type will be blinked.
- ⑤ Under calendar display mode, press \oplus key to force PLC stop or run
- ⑥ Under calendar display mode, press \ominus key to display and modify the PLC station number
- ⑦ Under calendar display mode, press \leftarrow key, can display the firmware version of PLC and BDAP.
- ⑧ Under calendar display mode, press \rightarrow key, can enter the user parameter entry screen.

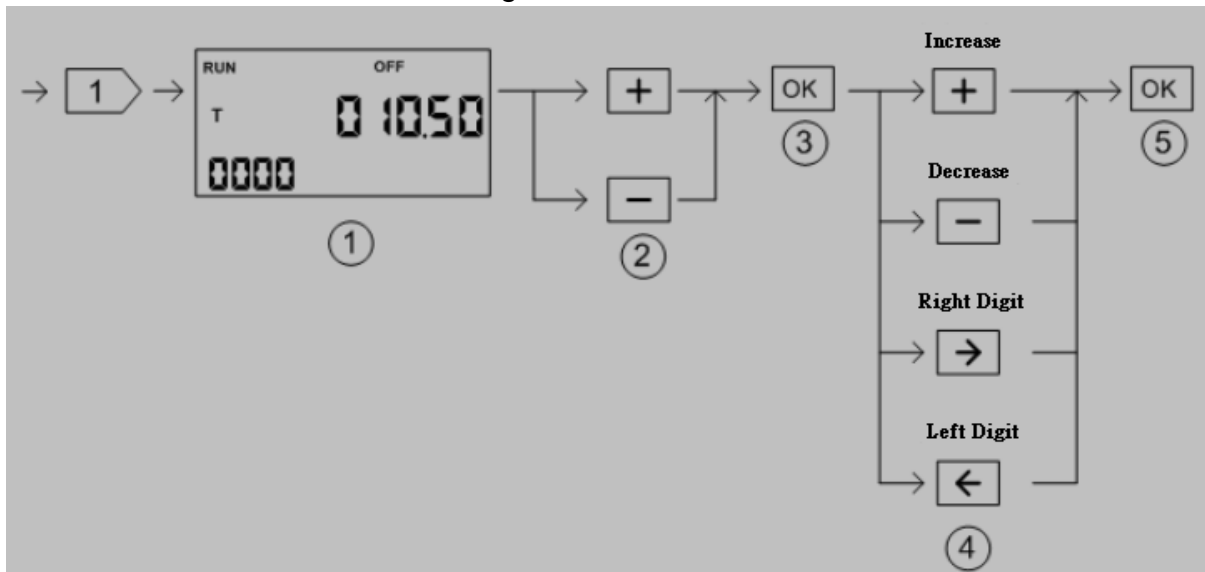
Note: No matter at which display screen, press <ESC> for 2 seconds will lead the screen to calendar display.

Discrete Element Monitoring:



- ① Discrete element(X·Y·M·S) display screen show five consecutive points of status at one time. The upper row is on/off status while the lower row is disable/enable status.
- ② Element reference number adjust
 - key: Increase the reference number by 5
 - key: Decrease the reference number by 5
- ③ Enter the element status editing state. The selected point will be blinked.
- ④ Modification of element ON/OFF、Enable/Disable status
 - key: Change the ON/OFF status(toggle operation)
 - key: Change the Enable/Disable status(toggle operation)
 - key: Move cursor to the lower point to be edited(decrease the reference number)
 - key: Move cursor to the higher point to be edited(increase the reference number)
- ⑤ Finish the editing.

Timer/Counter Status Monitoring:



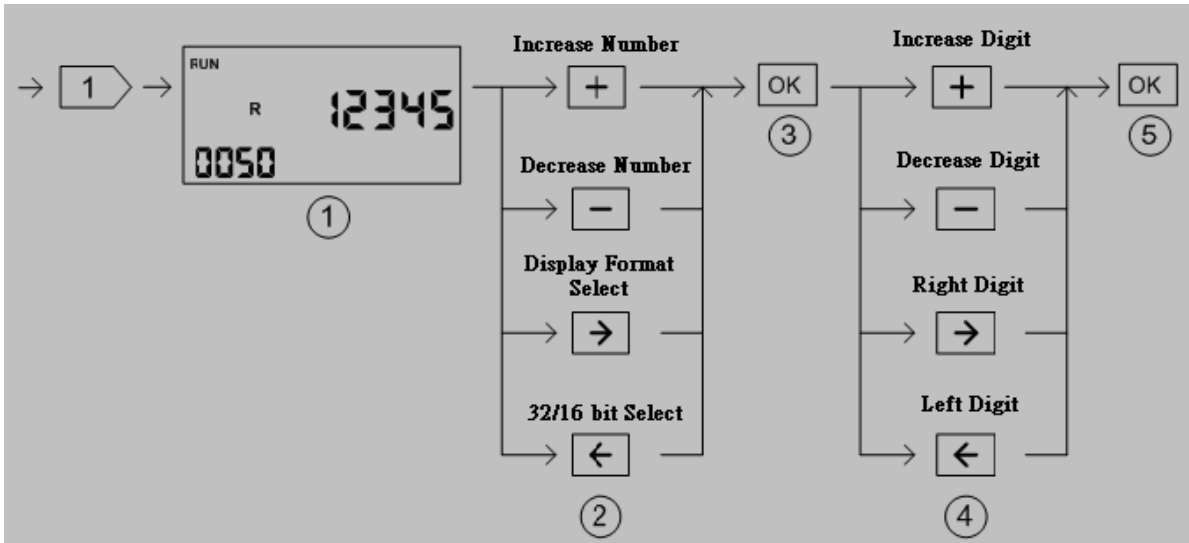
- ① The current value of T, C element if reach the preset value will show "ON", otherwise will show "OFF"
- ② Reference number adjust
 - key: Reference number decreased by one
 - key: Reference number increased by one
- ③ Enter editing mode. The digit to be changed will be blinked.
- ④ Modify value
 - key: Increased by one
 - key: Decreased by one
 - key: Move to the right digit
 - key: Move to the left digit.
- ⑤ Finish the editing and increase the reference number by one and back to ①
 - ※ When monitoring the counter element, if the reference number is great than 200 then the display value will be in 32 bit format(C200~C255 are 32bit counter)



- ※ When monitoring the timer element, the decimal point of current value will be set accordingly.



Register Status Monitoring:



- ① Default unsigned 16 bit decimal value display
- ② Adjust the reference number and select the display format

- key: Increase the reference number by one when 16 bit display format, by two when in 32 bit display format.
- key: Decrease the reference number by one when 16 bit display format, by two when in 32 bit display format.
- key: Display format selection. There are signed decimal, unsigned decimal and hexadecimal display format can be selected. Each depression of key can change the format once.



<16 bit hexadecimal display>



<16 bit signed decimal display>

- key: 16 bit/32 bit display format selection, Each depression of key will toggle the display format between these two modes.



<32 bit unsigned decimal display>



<32 bit hexadecimal display>



<32 bit signed decimal display>

- ③ Enter editing mode. The digit to be edited will be blinked.
- ④ Modify digit value
 - key: Increased by one
 - key: Decreased by one
 - key: Move cursor to the right digit
 - key: Move cursor to the left digit
- ⑤ Finish the editing and automatically point to the next available reference number then back to ①

Password Access Protection:

In order to protect the PLC data from inadvertent modification by operating of the BDAP with irrelative person, there are two kinds of password can be setup. One is operator password, while the other is supervisor password. People should pass the operator password authentication before can access the parameter entry function. Supervisor password is required if intend to enter the PLC element status editing function.

These two passwords are stored in D register of PLC.

D3980 – Location to store operator password.

D3981 - Location to store supervisor password.

Valid password range 1 ~ 65535. Filled 0 value when corresponding password protection is disabled.

User Parameter Entry:

With this function, can access the M(discrete) and R register of PLC.

The scope of monitoring M and R register can be defined by the following D registers of PLC.

D3982 – Quantity of read only portion of R-parameter. The R-parameter at first portion can be configured as read only.

D3983 –Quantity of R-parameter, which include read only and read-writeable R-parameter. The valid value of this register is 0~999.

D3984 – Starting address of R-parameter. The valid value of this register is- 0~3839 and 5000 ~ 8071

D3985 – Quantity of M-parameter, The valid value of this register is 0~999.

D3986 - Starting address of M-parameter. The valid value of this register is 0~1911.

When the content of setup-register is invalid, the corresponding type of parameter will not be shown for selection.