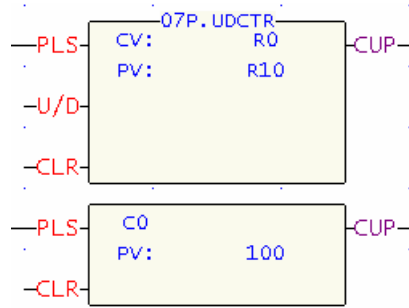


WinProladderV2.31-Build:6424 Change Note

1. Modify counter instruction input character : CLK → PLS



2. Modify display windows of I/O Configuration :

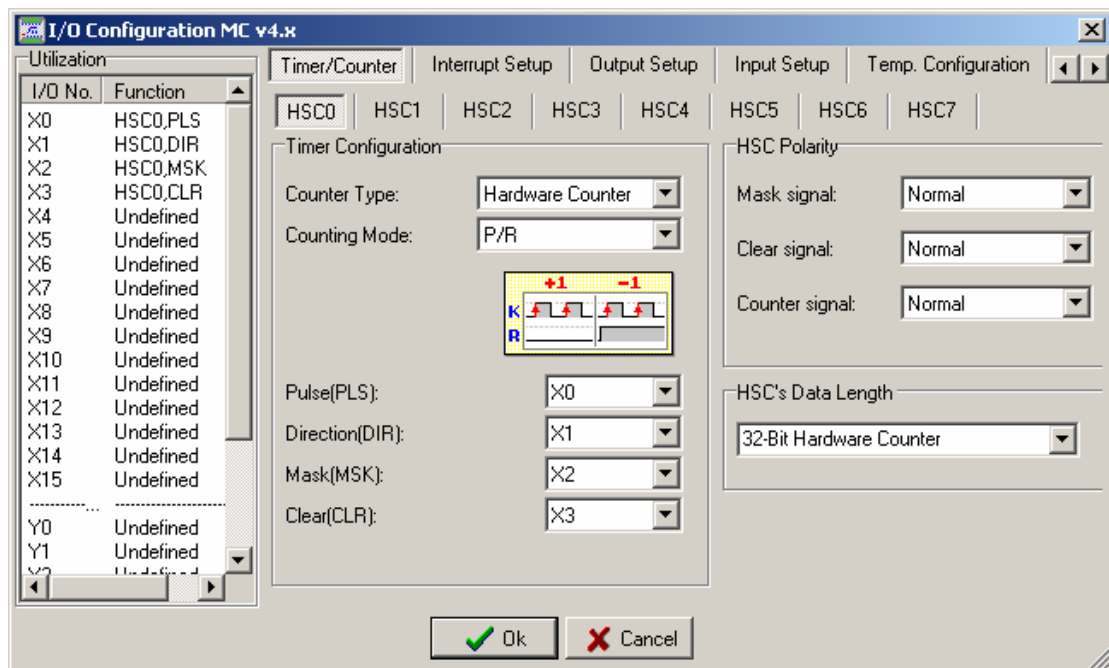
CLK → PLS

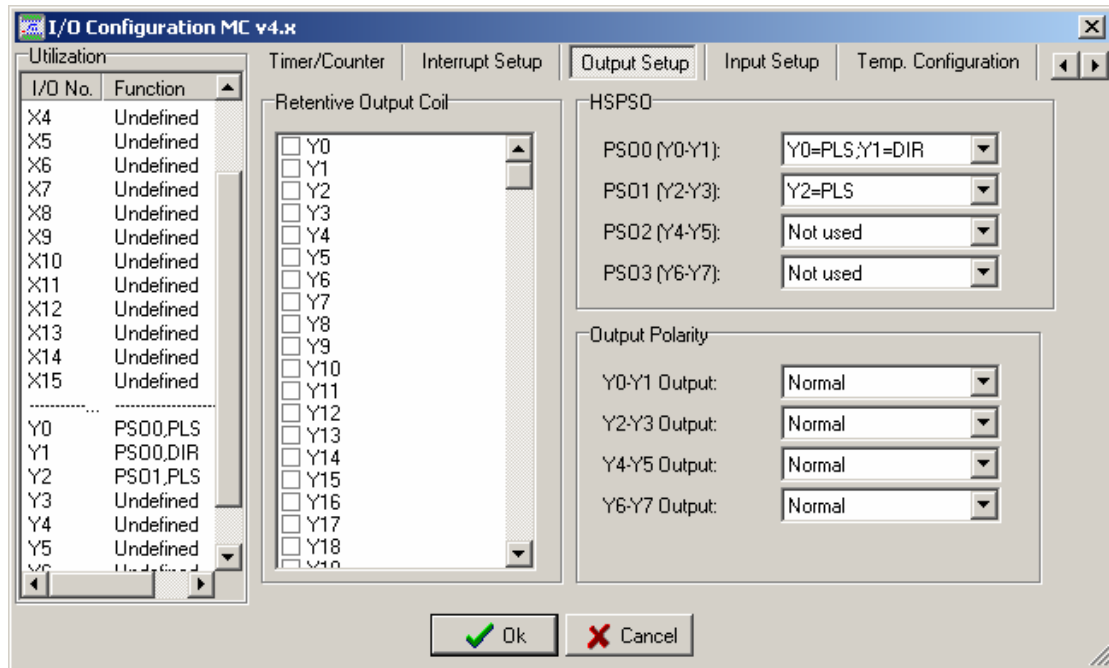
K/R → P/R

Up → UP

Dn → DN

MK → MSK





3. Correcting the bug which can't use pointer(V、Z).

4. Correcting the bug which Fun160 can't use derivative instructions(D、P).