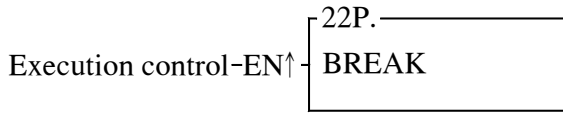
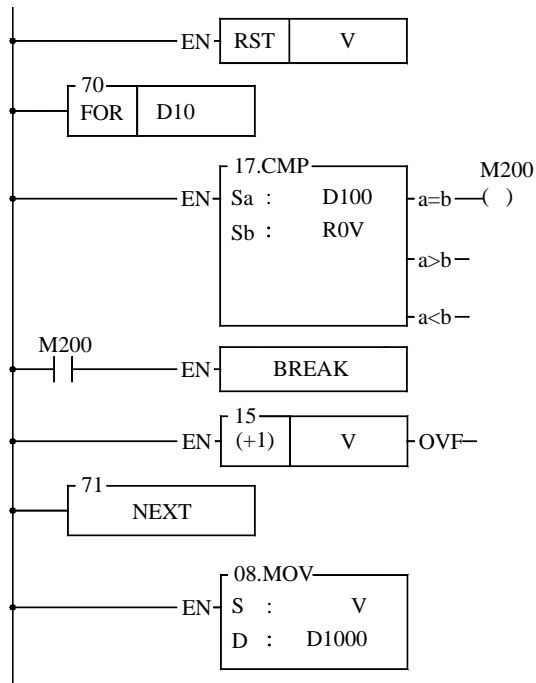


Flow control instruction

FUN22 BREAK	Break from FOR and NEXT loop (BREAK)	FUN22 BREAK
----------------	---	----------------



- When execution control "EN" =1 or "EN↑" (P instruction) changes from 0→1 , it will terminate the FOR and NEXT program loop ◦
- The program within the FOR and NEXT loop will be executed N times (N is assigned by FOR instruction) successively , but if it is necessary to terminate the execution loop less than N times , the BREAK instruction is necessary to apply ◦
- The BREAK instruction must be located within the FOR and NEXT program loop ◦



Description : The loop count used to execute the FOR and NEXT program loop is assigned by register D10 ; the program within the FOR and NEXT loop is designed to search the same data storing in D100 from the register table starting at R0 ◦ If it finds , the searching loop will be terminated and then it goes to execute the program after the NEXT instruction ; If it doesn't find , the searching loop will be executed N times (N is the content of D10) and then it goes to execute the program after the NEXT instruction ◦ M200 tells the status and D1000 is the pointer of searching ◦