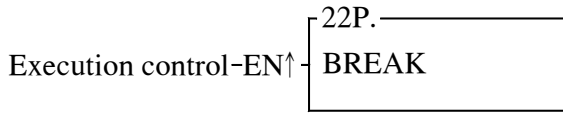
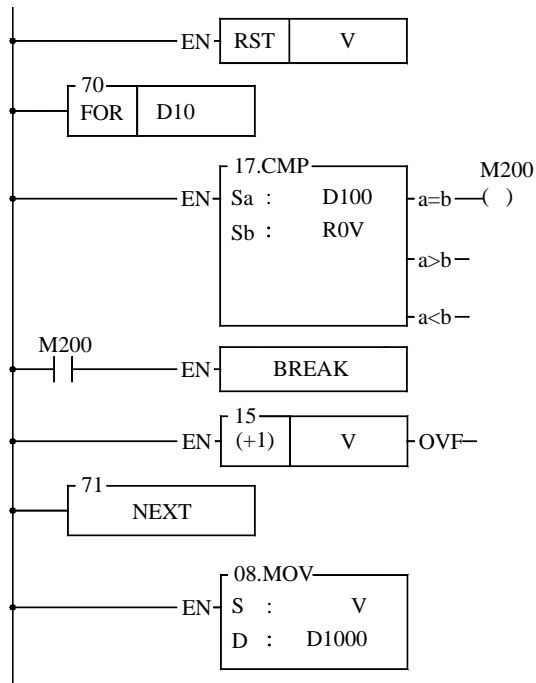


Flow control instruction

FUN22 BREAK	Break from FOR and NEXT loop (BREAK)	FUN22 BREAK
----------------	---	----------------



- When execution control "EN" =1 or "EN ↑" (P instruction) changes from 0→1, it will terminate the FOR and NEXT program loop.
- The program within the FOR and NEXT loop will be executed N times (N is assigned by FOR instruction) successively, but if it is necessary to terminate the execution loop less than N times, the BREAK instruction is necessary to apply.
- The BREAK instruction must be located within the FOR and NEXT program loop.



Description : The loop count used to execute the FOR and NEXT program loop is assigned by register D10; the program within the FOR and NEXT loop is designed to search the same data storing in D100 from the register table starting at R0. If it finds, the searching loop will be terminated and then it goes to execute the program after the NEXT instruction; If it doesn't find, the searching loop will be executed N times (N is the content of D10) and then it goes to execute the program after the NEXT instruction. M200 tells the status and D1000 is the pointer of searching.